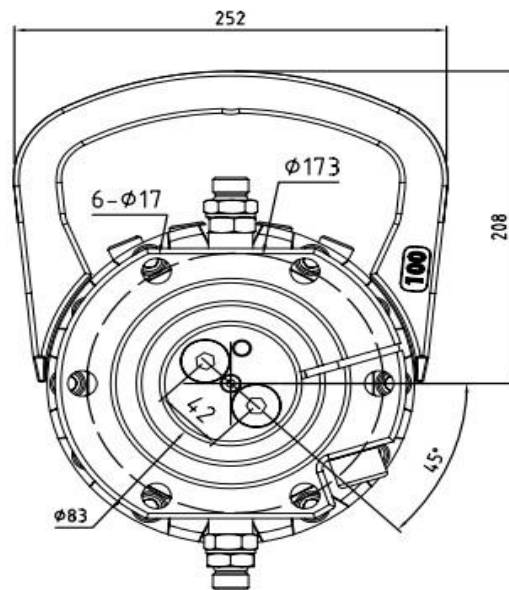
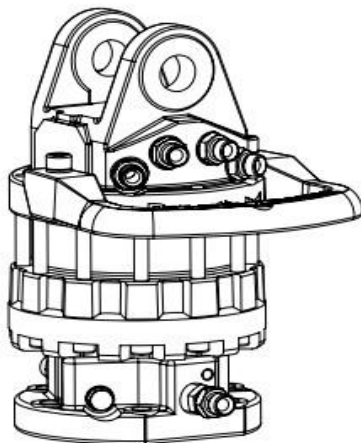
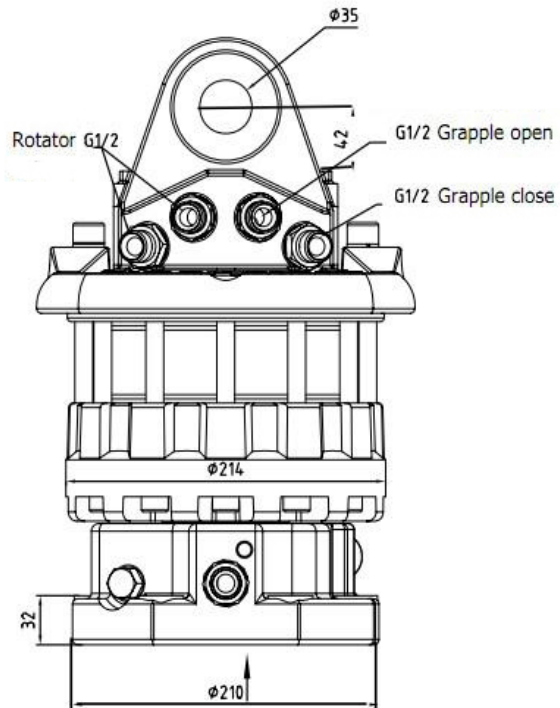
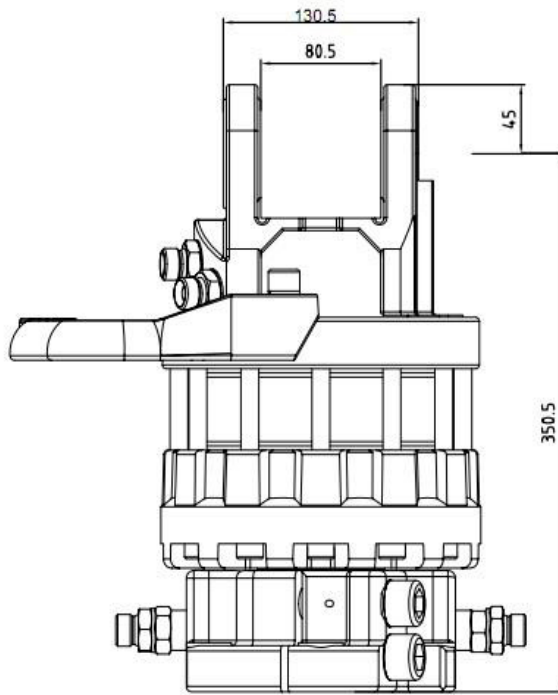


# ROTATOR GR-100FD



Rotation	Unlimited
Max axial load static, KN	+100 - 80
Max axial load dynamic, KN	+50 - 40
Torque at 25Mpa, Nm	2700
Rec oilflow, ml/r	871
Weight, kg	64

**Max working pressure:**

Rotator	←R→	Max 25 MPa (3625 psi)	G 1/2"
Grapple / Tool open	←G→	Max 30 MPa (4350 psi)	G 1/2"
Grapple / Tool close	→G←	Max 30 MPa (4350 psi)	G 1/2"

**Connection:**

