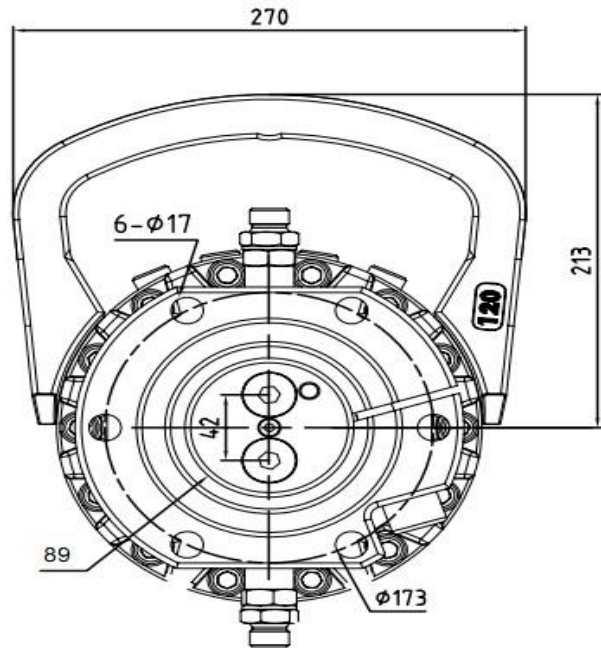
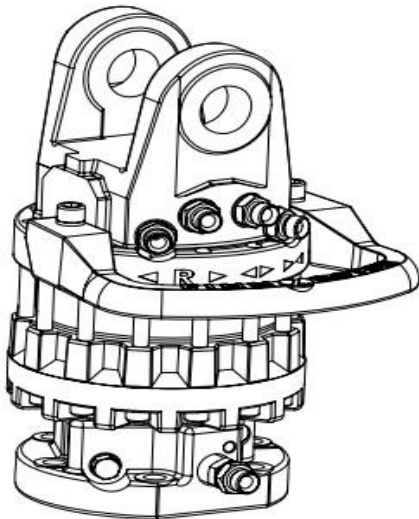
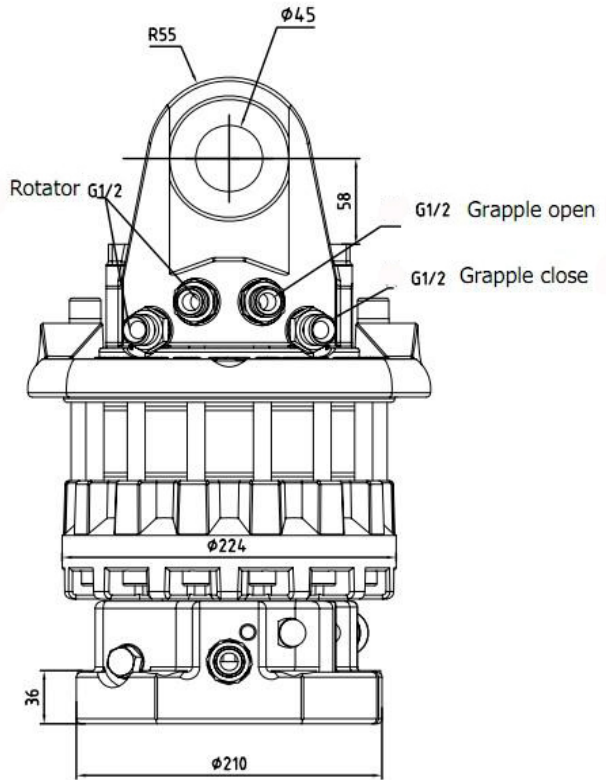
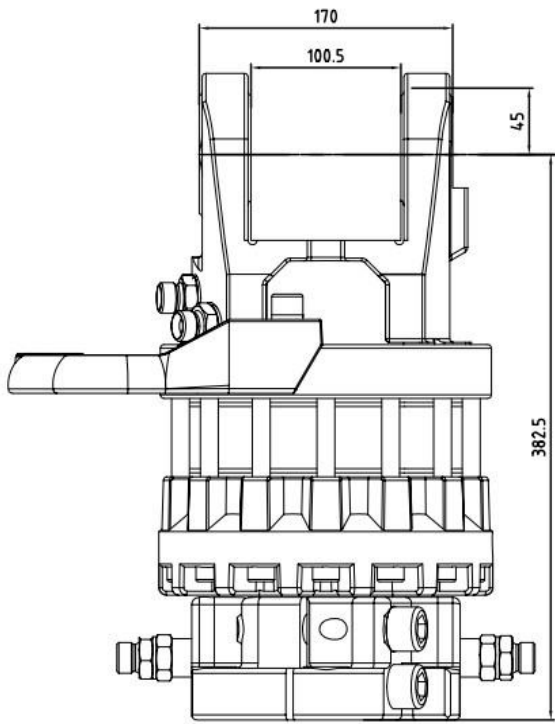


# ROTATOR GR-120FD



## Technical data

|                            |              |
|----------------------------|--------------|
| Rotation                   | Unlimited    |
| Max axial load static, KN  | +120<br>- 90 |
| Max axial load dynamic, KN | +60<br>- 45  |
| Torque at 25Mpa, Nm        | 2900         |
| Rec oilflow, ml/r          | 949          |
| Weight, kg                 | 76           |

### Max working pressure:

|                      |            |                       |        |
|----------------------|------------|-----------------------|--------|
| Rotator              | <b>←R→</b> | Max 25 MPa (3625 psi) | G 1/2" |
| Grapple / Tool open  | <b>←G→</b> | Max 30 MPa (4350 psi) | G 1/2" |
| Grapple / Tool close | <b>→G←</b> | Max 30 MPa (4350 psi) | G 1/2" |

### Connection:

**RIMA**

Xibeiyou Industry Zone, Laizhou, Shandong, China  
 Tel:+(86)-186 6387 9840 Fax:+(86)-535-6805690  
 E-mail:info@rimamach.com