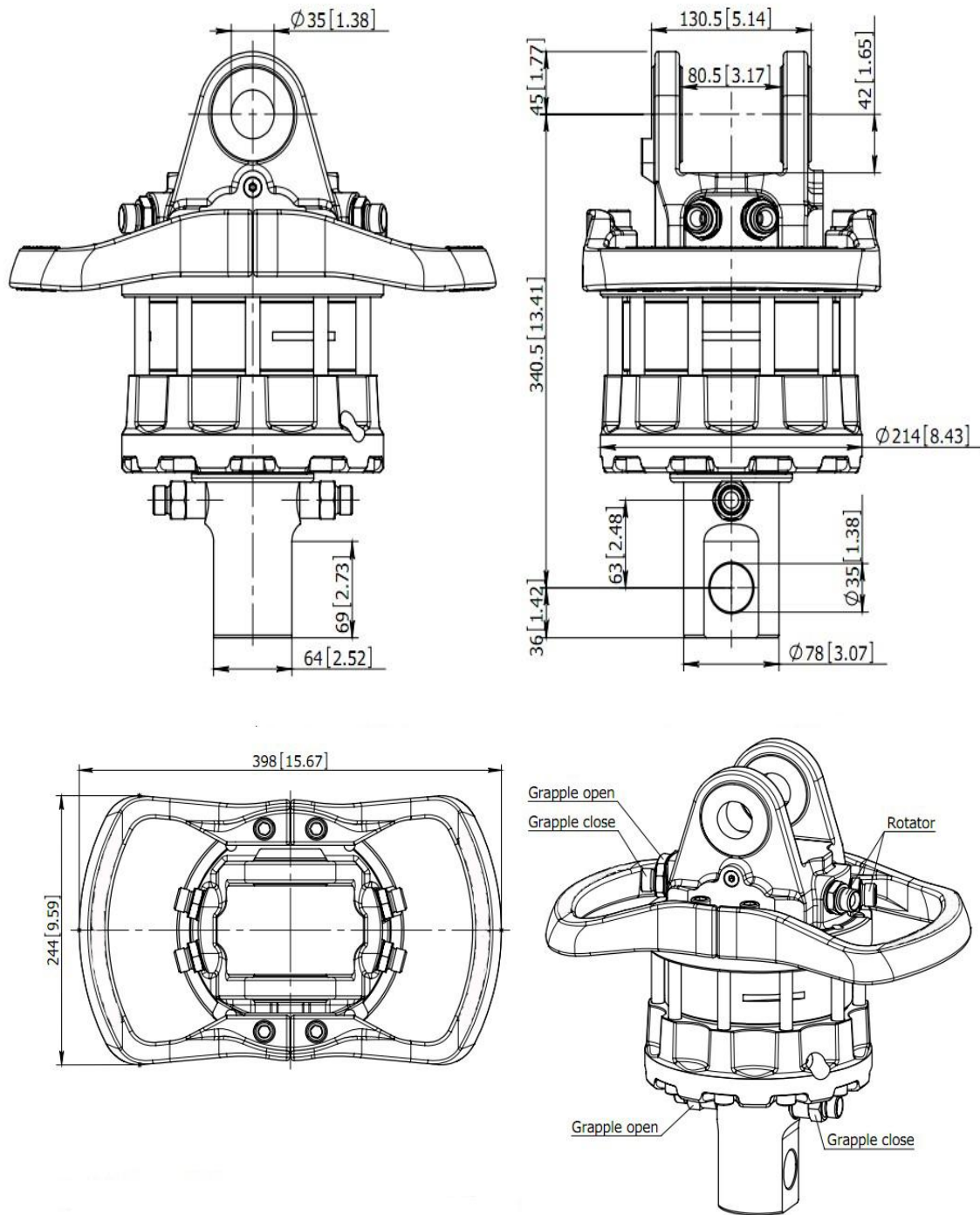


ROTATOR GR-60-2



Technical data

Rotation :

Unlimited

Max axial load static,KN:

60

Max axial load dynamic,KN:

30

Torque (25MPa) ,Nm:

1800

Rated displacement,ml/r:

670

Weight,Kg:

50

Max working pressure

Connection

Rotator : ← R → max 25MPa

G1/2"

Grapple/Tool open : ← G → max 20MPa

G1/2"

Grapple/Tool close: → G max 30MPa

G1/2"