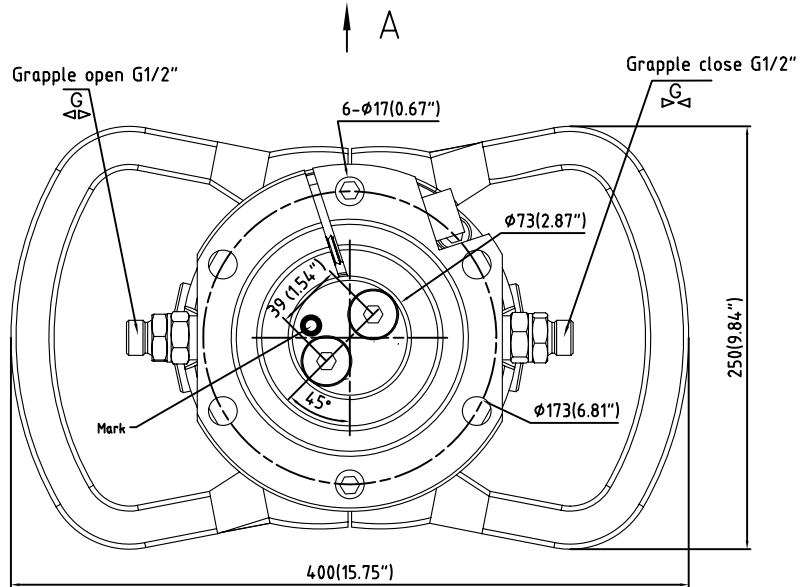
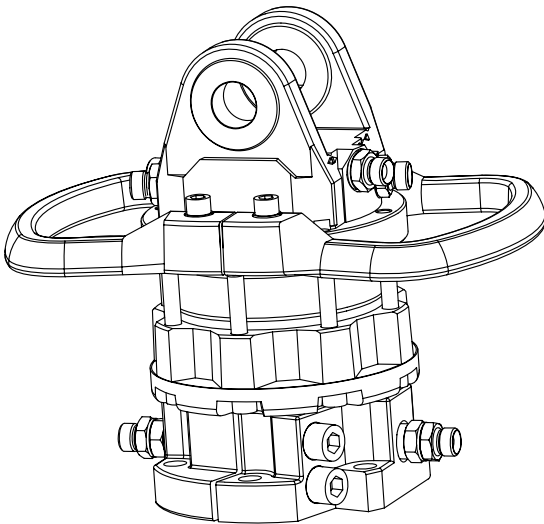
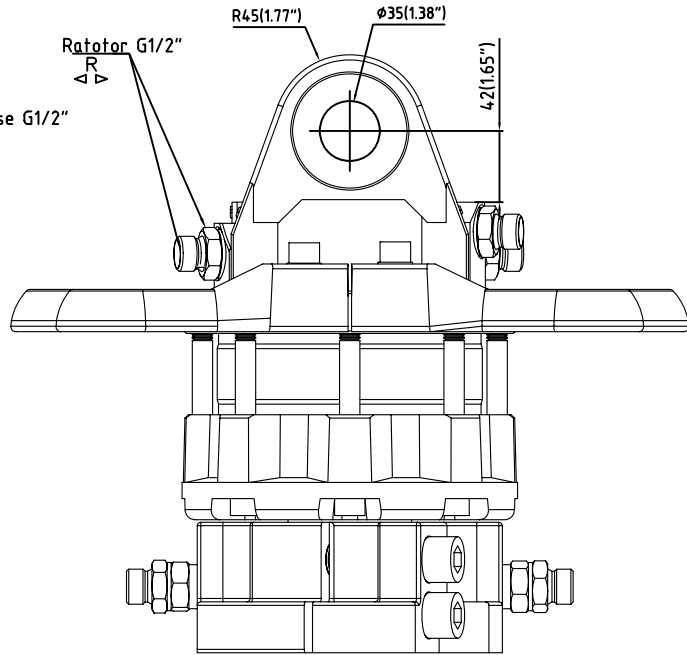
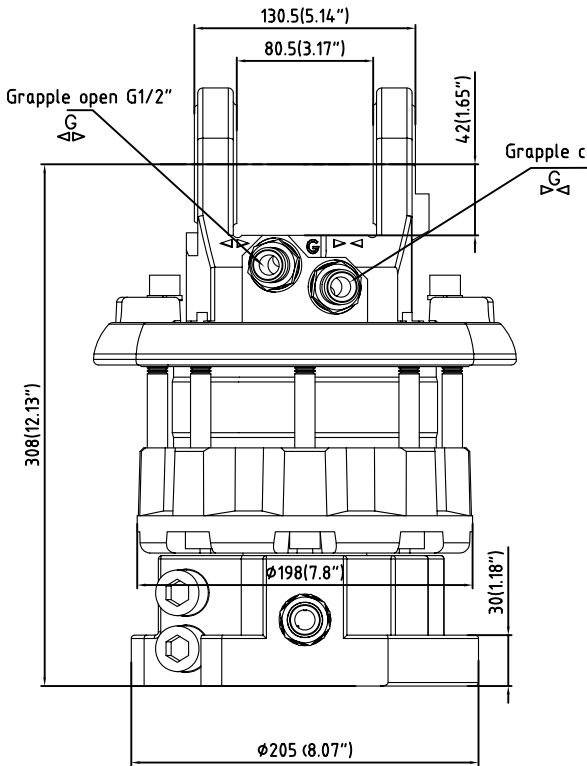


# ROTATOR GR-60F-2



## Technical data

Rotation :		Unlimited
Max axial load static,KN:		60
Max axial load dynamic,KN:		30
Torque ( 25MPa) ,Nm:		1800
Rated displacement,ml/r:		670
Weight,Kg:		50
Max working pressure		Connection
Rotator :	← R → max 25MPa	G1/2"
Grapple/Tool open :	← G → max 20MPa	G1/2"
Grapple/Tool close:	→ G ← max 30MPa	G1/2"