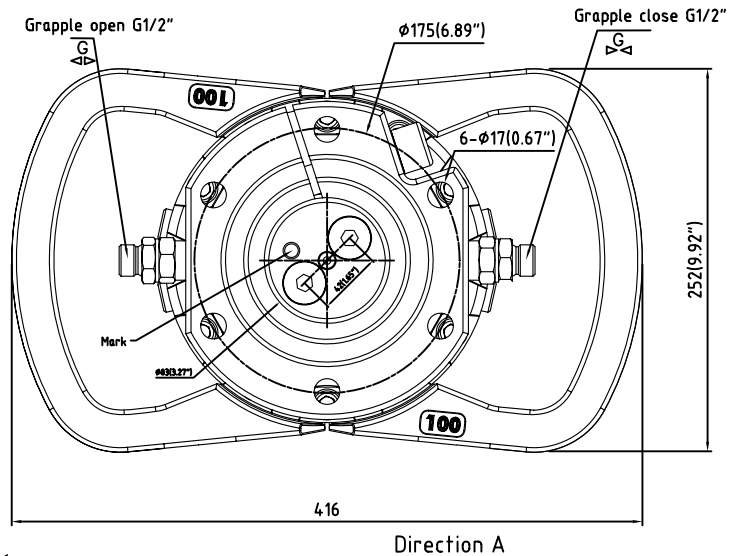
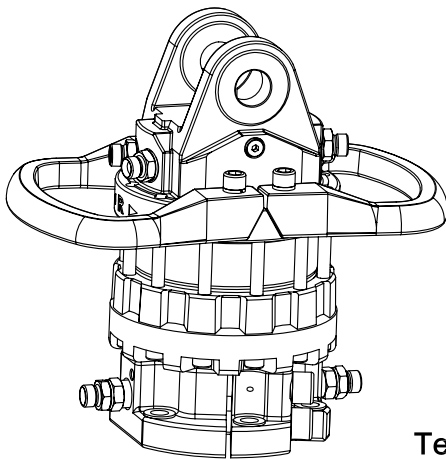
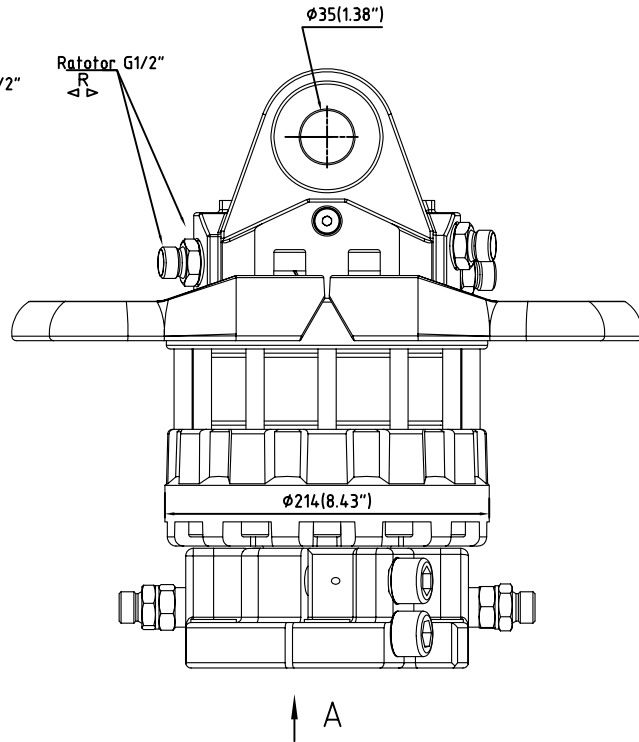
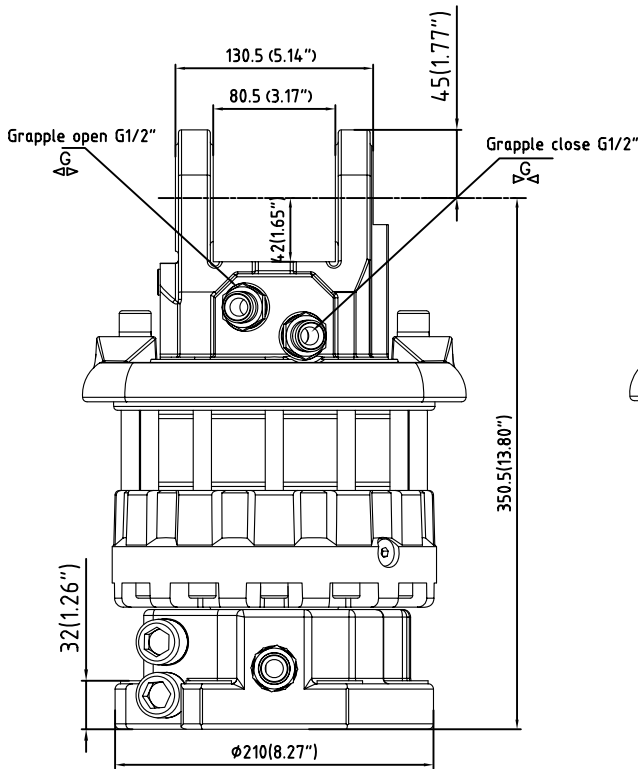


ROTATOR GR-100FD-2



Technical data

Rotation :	Unlimited
Max axial load static,KN:	100
	-80
Max axial load dynamic,KN:	50
	-40
Torque (25MPa) ,Nm:	2700
Rated displacement,ml/r:	871
Weight,Kg:	67
Max working pressure	Connection
Rotator :	—R— max 25MPa G1/2"
Grapple/Tool open :	—G— max 20MPa G1/2"
Grapple/Tool close:	—G— max 30MPa G1/2"