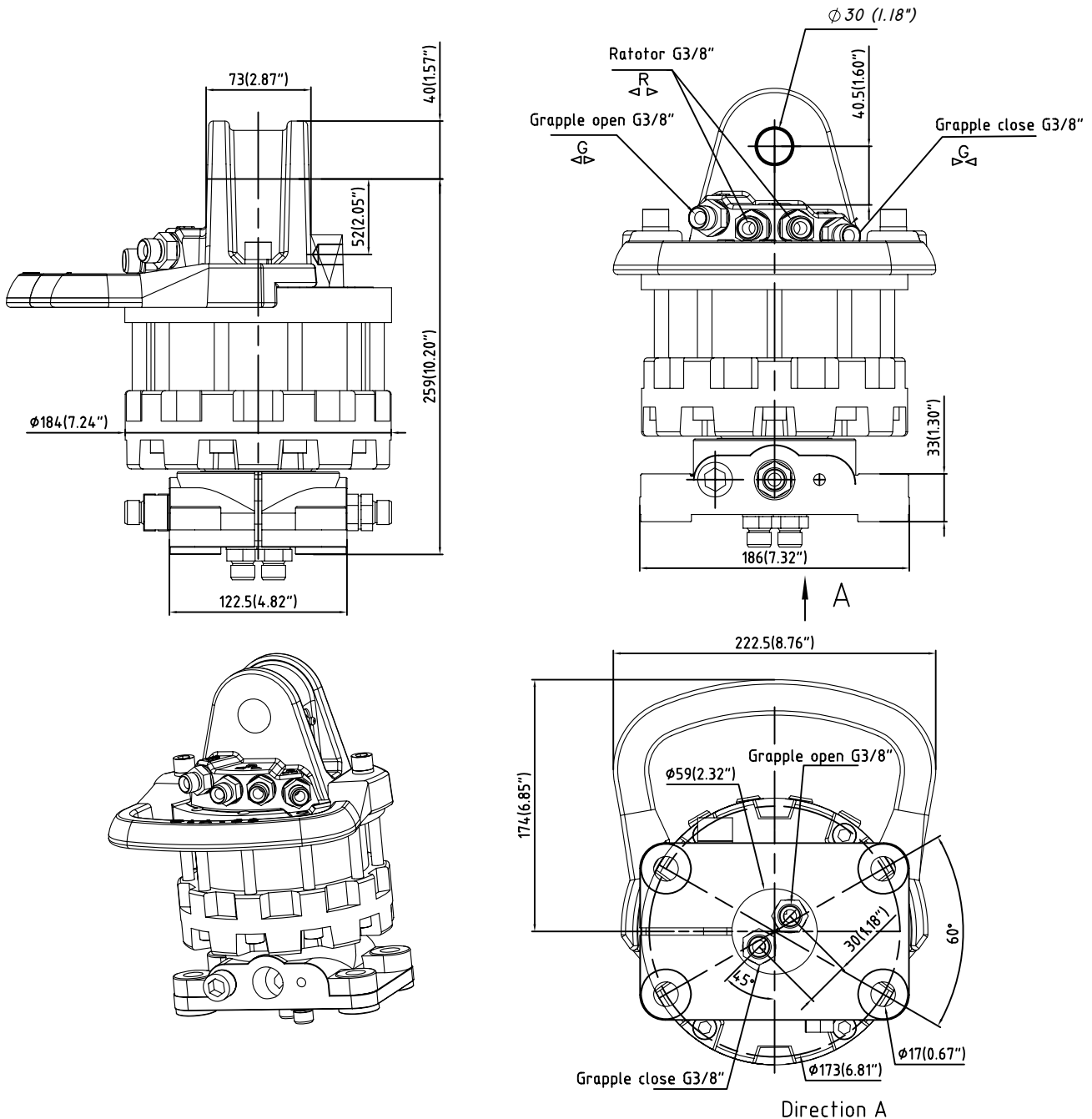


ROTATOR GR-50F



Technical data

Rotation :

Unlimited

Max axial load static,KN:

55

Max axial load dynamic,KN:

25

Torque (25MPa) ,Nm:

1400

Rated displacement,ml/r:

465

Weight,Kg:

32.5

Max working pressure

connection

Rotator : $\leftarrow R \rightarrow$ max 25MPa

G3/8"

Grapple/Tool open : $\leftarrow G \rightarrow$ max 20MPa

G3/8"

Grapple/Tool close: $\rightarrow G \leftarrow$ max 30MPa

G3/8"

RIMA

Xibeiyu Industry Zone, Laizhou, Shandong, China
 Tel:+(86)-186 6387 9840 Fax:+(86)-535-6805690
 E-mail:info@rimamach.com