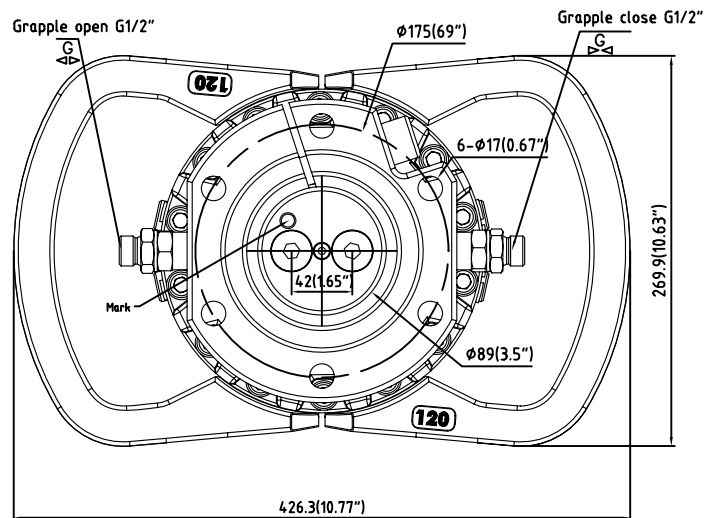
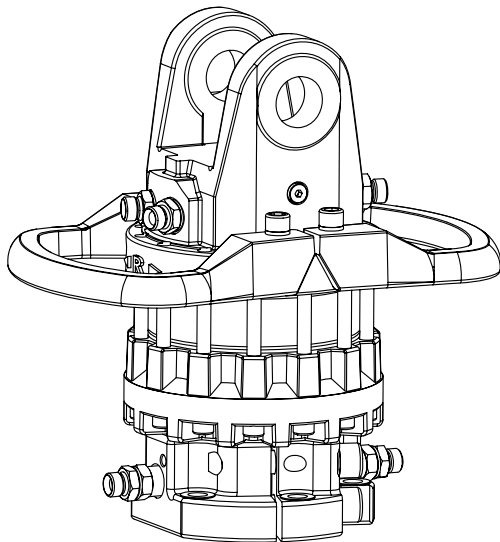
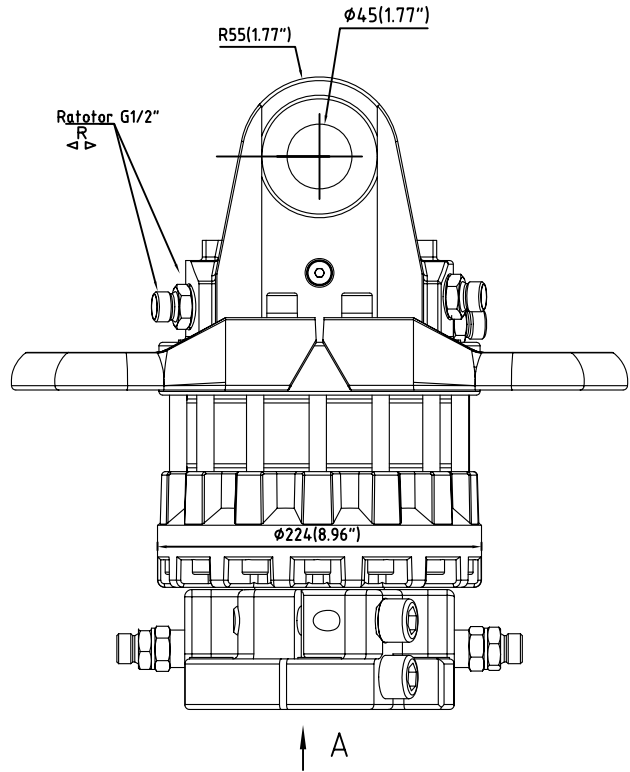
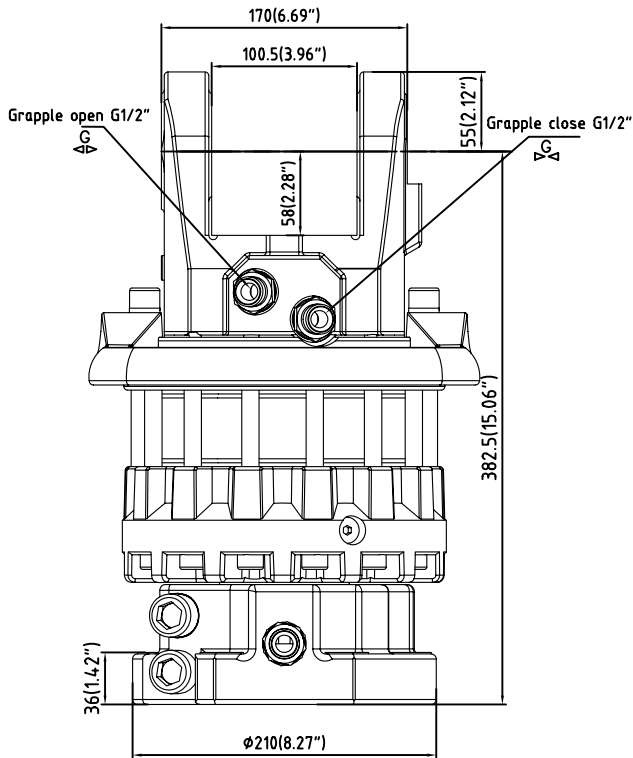


# ROTATOR GR-120FD-2



Direction A

## Technical data

Rotation :

Unlimited

Max axial load static,KN:

120

-90

Max axial load dynamic,KN:

60

-45

Torque ( 25MPa ) ,Nm:

2900

Rated displacement,ml/r:

949

Weight,Kg:

79.7

Max working pressure

Connection

Rotator : — R — max 25MPa

G1/2"

Grapple/Tool open : — G — max 20MPa

G1/2"

Grapple/Tool close: — G — max 30MPa

G1/2"