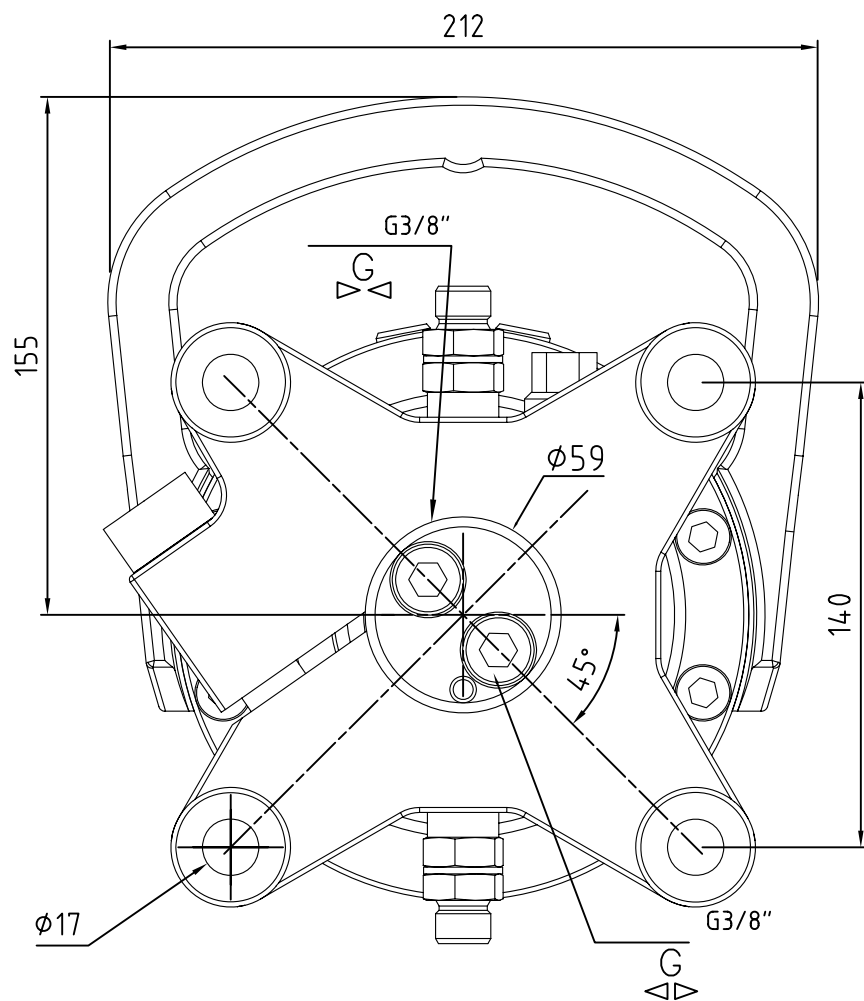
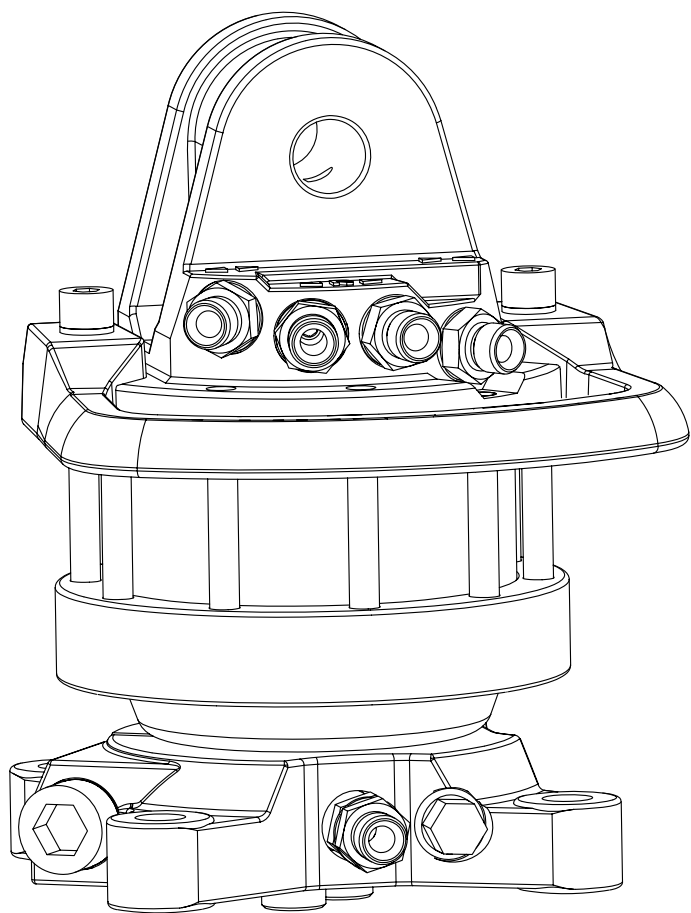
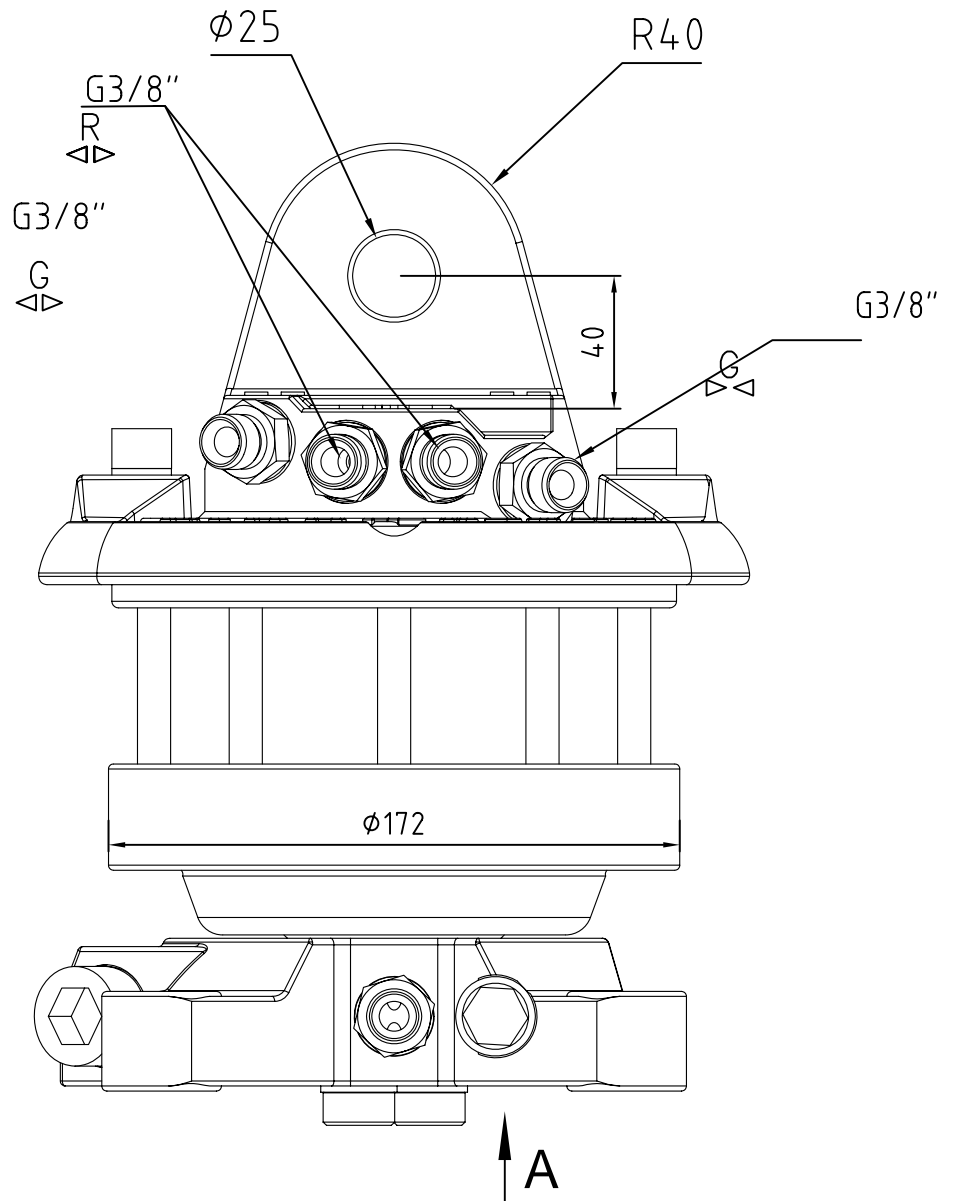
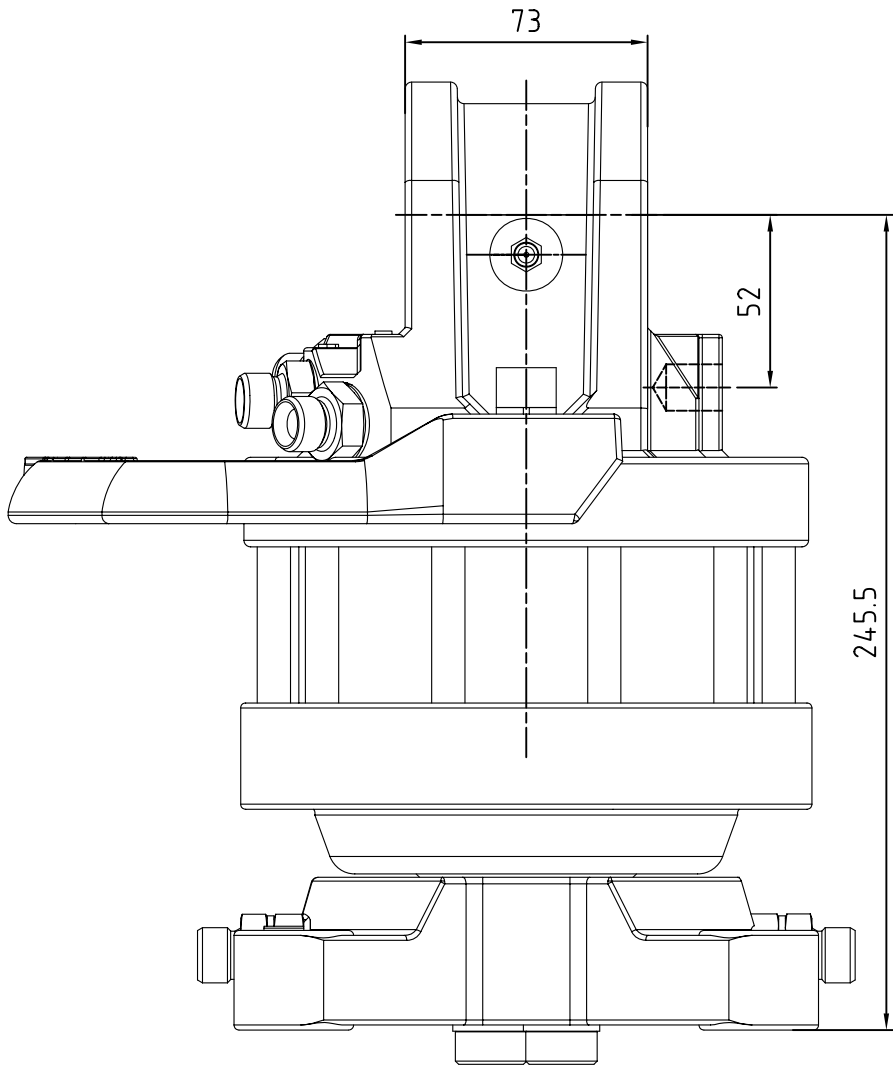


# ROTATOR GR-40F



## Technical data

|                             |               |                   |
|-----------------------------|---------------|-------------------|
| Rotation :                  |               | Unlimited         |
| Max axial load static,KN:   |               | 40                |
| Max axial load dynamic,KN:  |               | 20                |
| Torque ( 25MPa) ,Nm:        |               | 1100              |
| Rated displacement,ml/r:    |               | 420               |
| Weight,Kg:                  |               | 28                |
| <b>Max working pressure</b> |               | <b>connection</b> |
| Rotator :                   | —R— max 25MPa | G3/8"             |
| Grapple/Tool open :         | —G— max 20MPa | G3/8"             |
| Grapple/Tool close:         | —G— max 30MPa | G3/8"             |